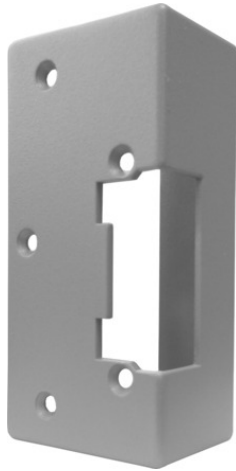


SU surface shield

Reference: SU (ESCUDO)
Product code: 20690061
EAN code: 8429898006789

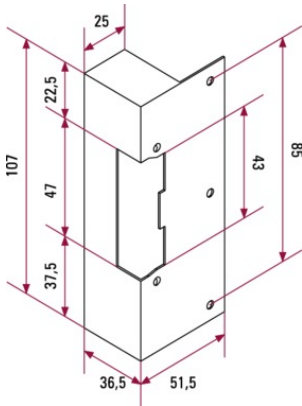


Main characteristics

- Surface shield for lock releases.

Additional information

Dimensions:



Visit in the website: <https://www.golmar.es/products/su-escudo>