

CV-24EL lock release

Reference: CV-24EL

Product code: 20620241

EAN code: 8429898006734

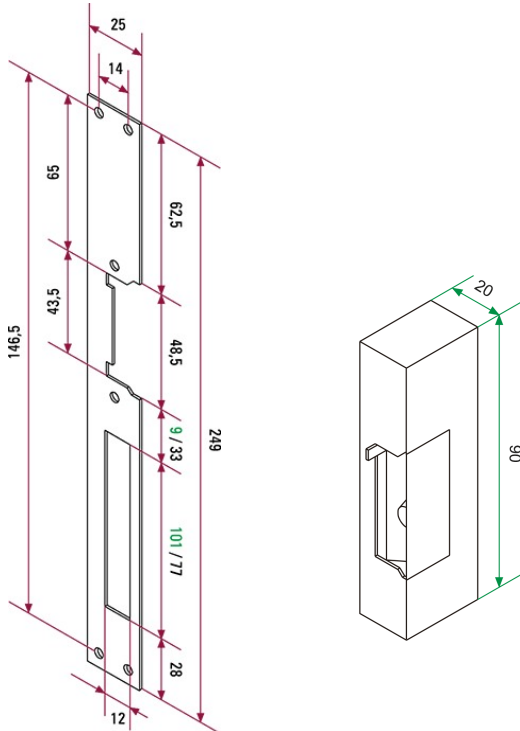


Main characteristics

- **Automatic operation**, which enables the door to be opened with one press of the lock release push button of the apartment unit, and becomes locked again once the door is closed.
- **Long size shield**.
- **Unlock function**, which allows to open the door when pushed at any moment.
- Casing manufactured in 2mm. thick pressure injected light alloy, with a height of 90mm.
- Adjustable bolt on all models, allowing 3 mm. precision.
- Operation voltage from 8 to **12V a.c.** (750mA consumption).

Additional information

■ Dimensions:



Accessories

- SU surface shield

Visit in the website: <https://www.golmar.es/products/automatic-a-c-lock-release-with-long-size-shield-cv24el>

Golmar Sistemas de Comunicación S.A.

Silici 13 · 08940 Cornellà de Llobregat (Barcelona) · Tel: +34 934 800 696 · Fax: +34 934 742 404 · golmar@golmar.es · www.golmar.es